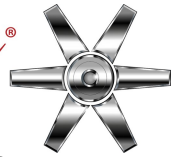
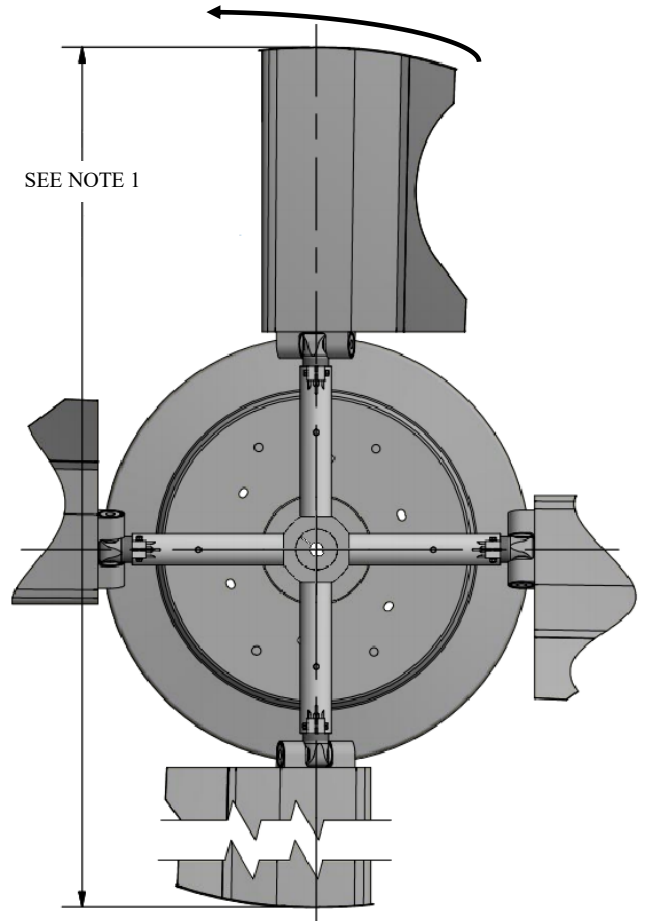
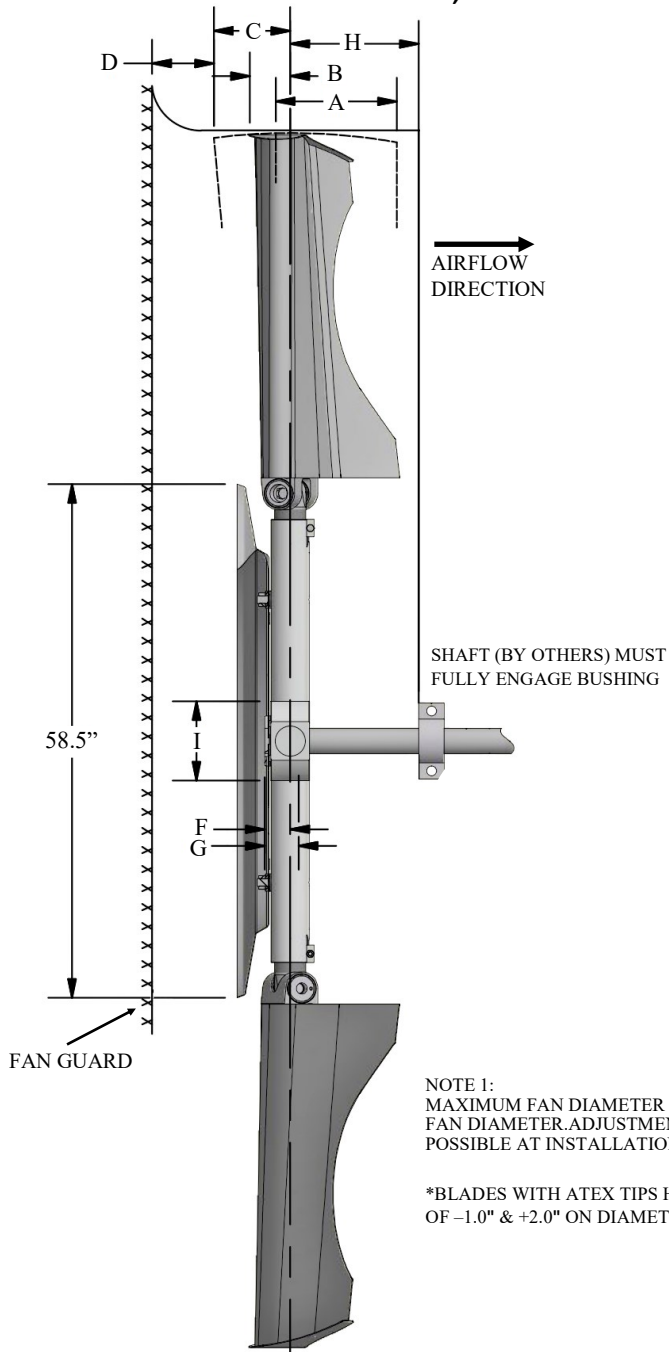


CLASS 10000 HD SERIES 60 EC

EXTENDED CHORD, LH ROTATION



COUNTER-CLOCKWISE ROTATION
(FAN BLOWING IN OBSERVER'S FACE)
STANDARD LEFT HAND FAN



NOTE 1:
MAXIMUM FAN DIAMETER EQUALS NOMINAL FAN DIAMETER. ADJUSTMENT OF ±1.5 INCHES* POSSIBLE AT INSTALLATION

*BLADES WITH ATEX TIPS HAVE ADJUSTMENT OF -1.0" & +2.0" ON DIAMETER

- A = BLADE TIP THICKNESS @ 19° BLADE ANGLE
- B = RUNNING POSITION OF BLADES
- C = MAXIMUM DROOP POSITION OF BLADES
- D = MINIMUM OBSTACLE CLEARANCE AT INLET
- F = CENTERLINE OF FAN TO BASE OF BUSHING
- G = BUSHING OVERALL HEIGHT
- H = MINIMUM OBSTACLE CLEARANCE AT OUTLET
- I = NOMINAL MECHANICAL HUB DIAMETER
- L = MAXIMUM BUSHING TORQUE FT. LBS.
- # = WITH S.A.E. STANDARD SQUARE KEYWAY
- * = WITH SHALLOW KEYWAY IN BUSHING
- o = MAX METRIC BORE WITH STANDARD KEYWAY

BUSHING AND/OR AIR SEAL CAN BE INSTALLED ON INLET OR OUTLET SIDE OF FAN

WITH FAN OPERATING AT 12000 FT/MINUTE BLADE TIP SPEED

DIA	PERCENT BLADE LOADING						
	100%		75%		C	D	H
	A	B	A	B			
10'	7.5"	5.9"	5.4"	7.1"	2.0"	14.0"	
11'	7.5"	6.7"	6.1"	8.5"	2.0"	14.0"	
12'	7.5"	7.7"	6.8"	10.0"	2.0"	14.0"	
13'	7.5"	8.9"	7.7"	11.9"	2.0"	14.0"	
14'	7.5"	10.2"	8.7"	13.9"	2.0"	14.0"	
15'	7.5"	11.7"	9.9"	16.1"	2.0"	14.0"	
16'	7.5"	12.6"	10.6"	17.6"	2.0"	14.0"	

MAX BLADES	BUSHING TYPE	MAX # BORE	MAX * BORE	MAX o BORE	I	F	G	L
6	U	2.750"	2.938"	75	7"	2.0"	2.7"	4000
8	U	2.750"	2.938"	75	9"	2.0"	2.7"	4000
12	U	2.750"	2.938"	75	12"	2.0"	2.7"	4000
8	W	3.750"	4.000"	100	9"	2.2"	2.8"	7300
12	W	3.750"	4.000"	100	12"	2.2"	2.8"	7300
12	Z	5.000"	5.500"	140	12"	2.2"	4.0"	18000